

NH3 gTr 722A/400V 500kVA



Specifications

ETI Code	MI version 004115422	004115409
Description	NH3 gTr 722A/400V 500kVA	
Class name	Fuse link	
Type	NH	
Size	NH3	
Characteristics	gTr	
Rated AC voltage (V)	400	
Indicator	Middle indicator - 004115422	Top fuse status indicator
Breaking capacity AC (kA)	100	
Transformer	500kVA	
Power dissipation (W)	49	
Standards	VDE 0636-21	
Operating joule integral (A2s)	3.472.000	
Prearcing joule integral (A2s)	1.645.000	
Application	Protection of transformers	
efuse	1	
0		

[Online product page](#) 

Other documentation



[Technical data catalogue](#)

[3D Model](#)

[Instruction manual](#)

[CE declaration](#)

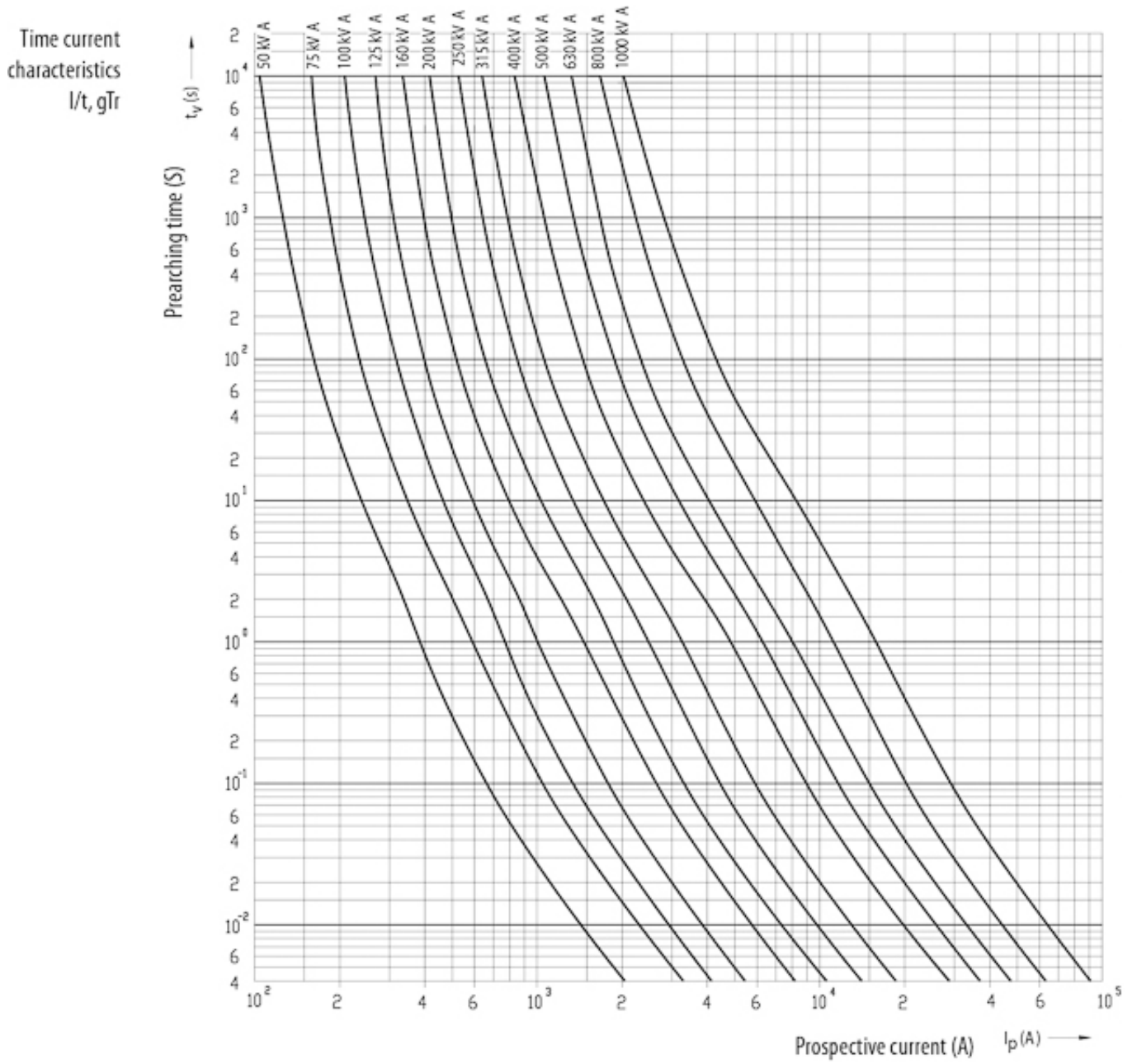
[Eplan file](#)

ETIM international clasification

Classification	EC000055
Class name	Low Voltage HRC fuse
Construction size	NH3
Nominal rated current	722
Nominal rated voltage	400
Voltage type	AC
Rated switching capacity	100
Utilization category	gTr (Transformer protection)
Type of fuse status indicator	Top fuse status indicator
Insulated metal gripping lugs (IMGL)	

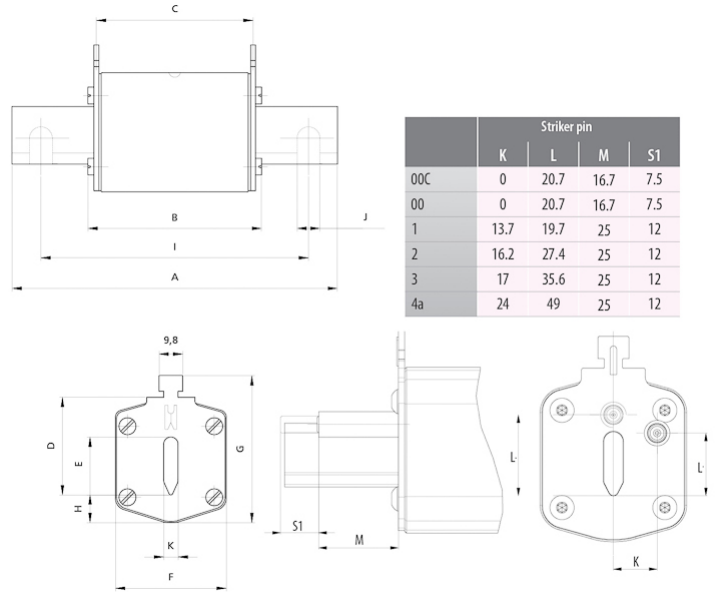
Characteristics

Characteristics



Dimension drawing

	A	B	C	D	E	F	G	H	I	J	K	
NV00C	79	53	47	35	15	21	52	7,5			6	kombi
NV00C I	79	53	47	35	15	21	52	7,5			6	kombi
NV00	79	53	47	35	15	28	56	12			6	kombi
NV00 I	79	53	47	35	15	28	56	12			6	kombi
NV0	125	68	65	35	15	28	56	12			6	kombi
NV1C	135	68	65	40	15	28	61	12			6	kombi
NV1C I	135	68	65	40	15	28	61	12			6	kombi
NV1	135	72	65	40	20	46	65	14			6	kombi
NV1 I	135	72	65	40	20	46	65	14			6	kombi
NV2C	150	72	65	48	20	46	73	14			6	kombi
NV2C I	150	72	65	48	20	46	73	14			6	kombi
NV2	150	72	65	48	26	54	73	14			6	kombi
NV2 I	150	72	65	48	26	54	73	14			6	kombi
NV3C	150	72	65	60	26	54	84	14			6	kombi
NV3	150	72	65	60	33	65	84	14			6	kombi
NV4	200	75	66	87	50	100	121	24	150	16	8	
NV4a	200	99	87	85	50	95	121	27			6	
NV4a SI*	200	99	87	85	50	95	121	27			6	
NV1/1000V	155	90	87	40	20	45	59	9			6	



NH3 gTr 909A/400V 630kVA



Specifications

ETI Code	MI version 004115423	004115410
Description	NH3 gTr 909A/400V 630kVA	
Class name	Fuse link	
Type	NH	
Size	NH3	
Characteristics	gTr	
Rated AC voltage (V)	400	
Indicator	MI version 004115423	Top fuse status indicator
Breaking capacity AC (kA)	100	
Transformer	630kVA	
Power dissipation (W)	58	
Standards	VDE 0636-21	
Operating joule integral (A2s)	6.470.000	
Prearcing joule integral (A2s)	3.000.000	
Application	Protection of transformers	
efuse	1	
0		

Online product page

Other documentation



Technical data catalogue

3D Model

Instruction manual

CE declaration

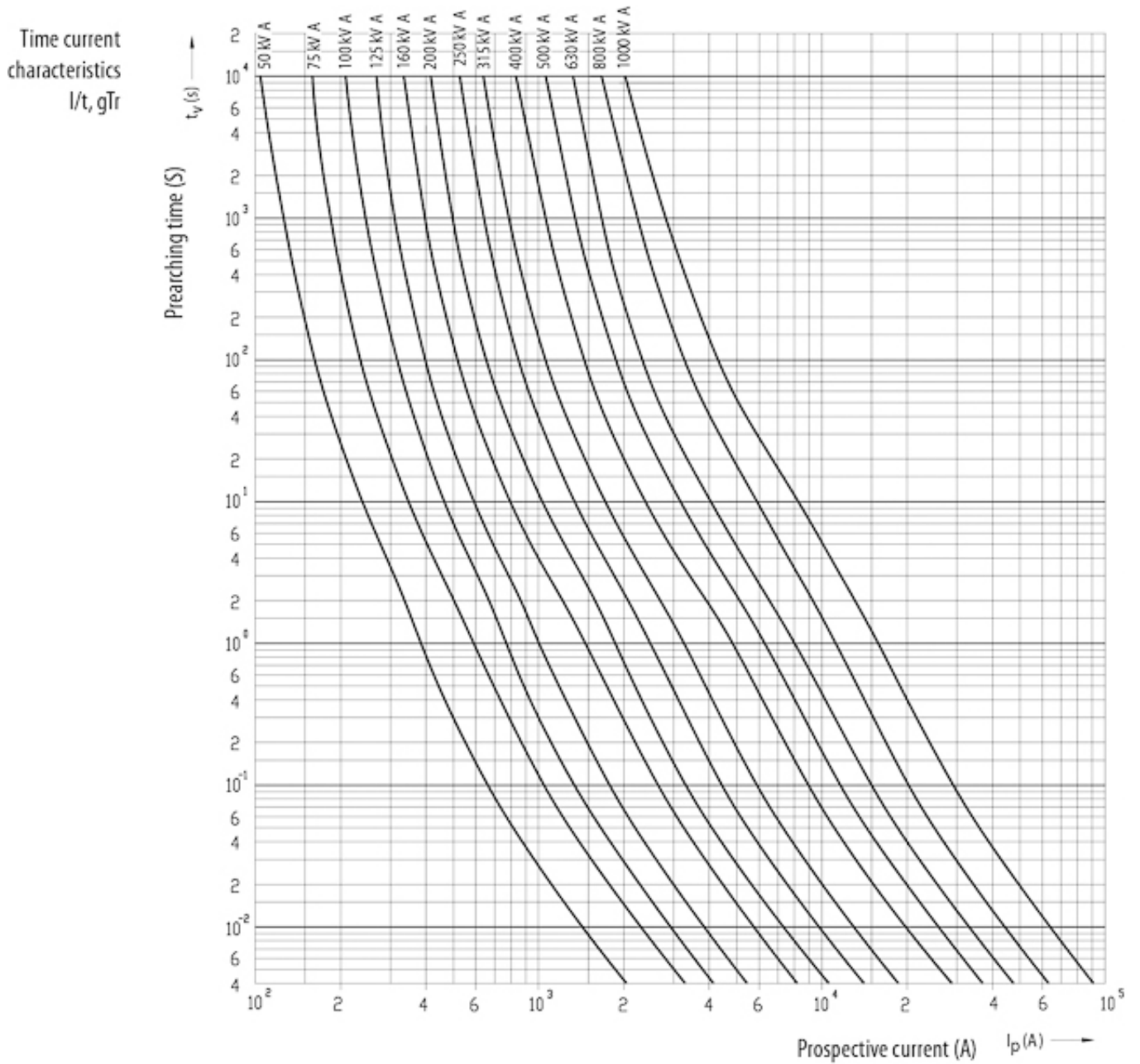
Eplan file

ETIM international clasification

Classification	EC000055
Class name	Low Voltage HRC fuse
Construction size	NH3
Nominal rated current	909
Nominal rated voltage	400
Voltage type	AC
Rated switching capacity	100
Utilization category	gTr (Transformer protection)
Type of fuse status indicator	Top fuse status indicator
Insulated metal gripping lugs (IMGL)	

Characteristics

Characteristics



Dimension drawing

	A	B	C	D	E	F	G	H	I	J	K	
NV00C	79	53	47	35	15	21	52	7,5			6	kombi
NV00C I	79	53	47	35	15	21	52	7,5			6	kombi
NV00	79	53	47	35	15	28	56	12			6	kombi
NV00 I	79	53	47	35	15	28	56	12			6	kombi
NV0	125	68	65	35	15	28	56	12			6	kombi
NV1C	135	68	65	40	15	28	61	12			6	kombi
NV1C I	135	68	65	40	15	28	61	12			6	kombi
NV1	135	72	65	40	20	46	65	14			6	kombi
NV1 I	135	72	65	40	20	46	65	14			6	kombi
NV2C	150	72	65	48	20	46	73	14			6	kombi
NV2C I	150	72	65	48	20	46	73	14			6	kombi
NV2	150	72	65	48	26	54	73	14			6	kombi
NV2 I	150	72	65	48	26	54	73	14			6	kombi
NV3C	150	72	65	60	26	54	84	14			6	kombi
NV3	150	72	65	60	33	65	84	14			6	kombi
NV4	200	75	66	87	50	100	121	24	150	16	8	
NV4a	200	99	87	85	50	95	121	27			6	
NV4a SI*	200	99	87	85	50	95	121	27			6	
NV1/1000V	155	90	87	40	20	45	59	9			6	

