

# NH3C gTr 289A/400V 200kVA



## Specifications

ETI Code	004115405
Description	NH3C gTr 289A/400V 200kVA
Class name	Fuse link
Type	NH
Size	NH3C
Characteristics	gTr
Rated AC voltage (V)	400
Indicator	Combination fuse status indicator
Breaking capacity AC (kA)	100
Transformer	200kVA
Power dissipation (W)	21
Standards	VDE 0636-21
Operating joule integral (A2s)	910.000
Prearcing joule integral (A2s)	339.000
Application	Protection of transformers

0

[Online product page](#) 

## Other documentation



[Technical data catalogue](#)

[3D Model](#)

[Instruction manual](#)

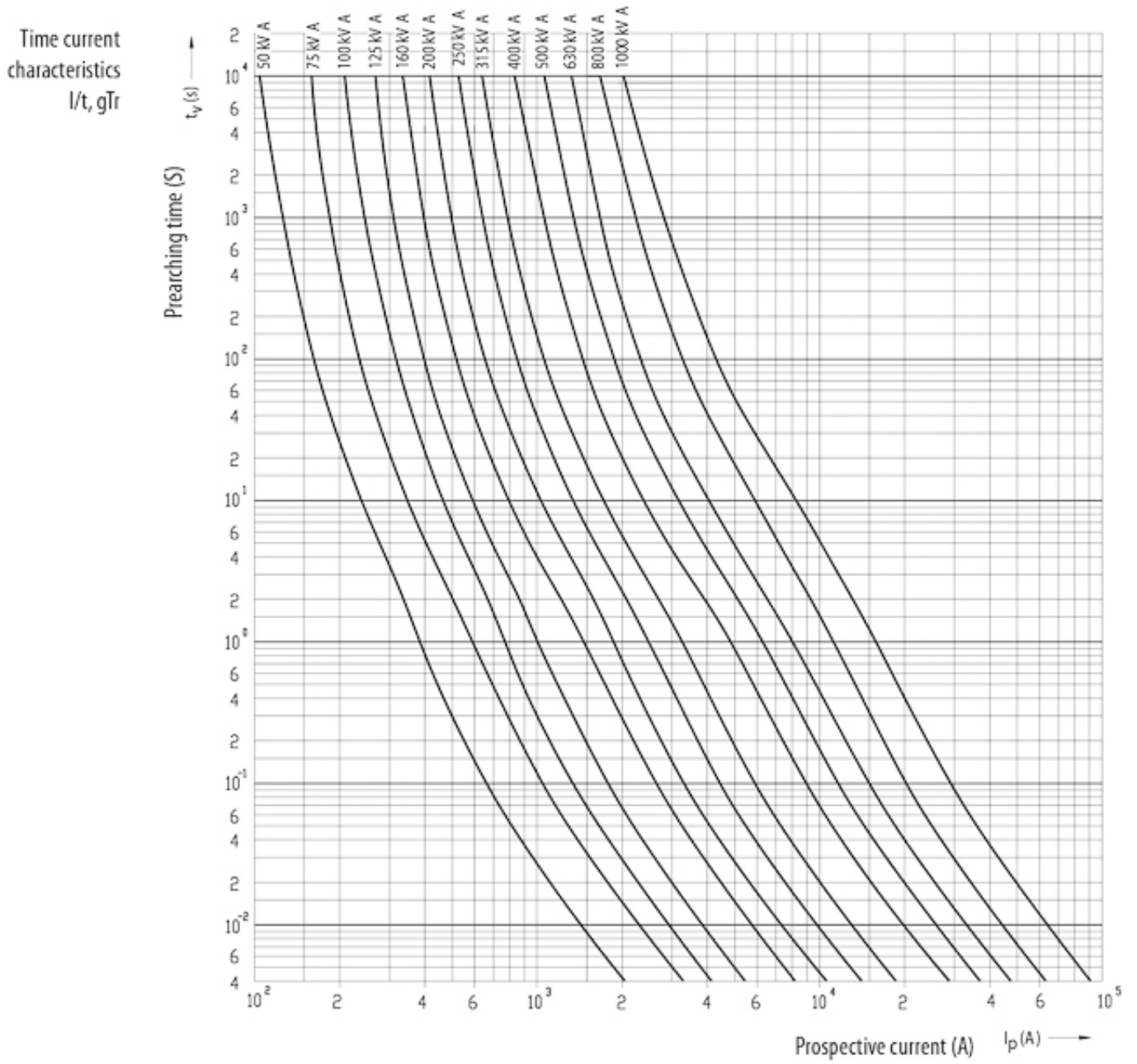
[CE declaration](#)

[Eplan file](#)

## ETIM international clasification

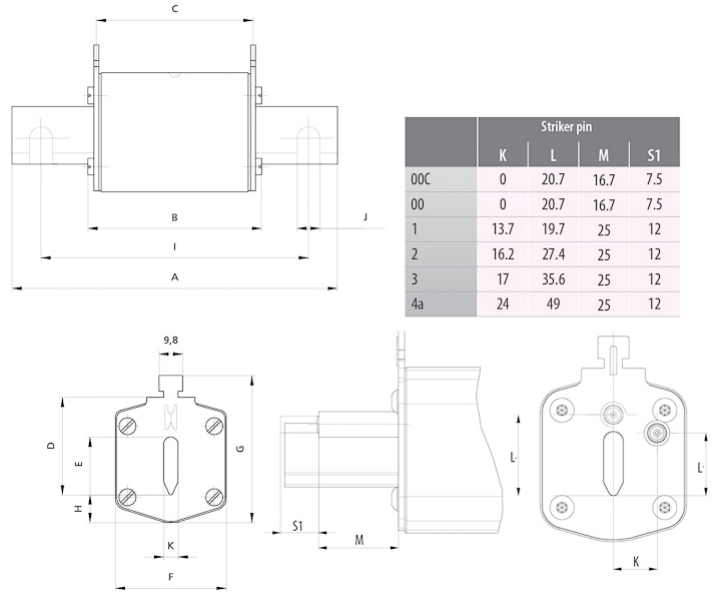
Classification	EC000055
Class name	Low Voltage HRC fuse
Construction size	NH3C
Nominal rated current	289
Nominal rated voltage	400
Voltage type	AC
Rated switching capacity	100
Utilization category	gTr (Transformer protection)
Type of fuse status indicator	Combination fuse status indicator
Insulated metal gripping lugs (IMGL)	

# Characteristics



# Dimension drawing

	A	B	C	D	E	F	G	H	I	J	K	
NV00C	79	53	47	35	15	21	52	7,5			6	kombi
NV00C I	79	53	47	35	15	21	52	7,5			6	kombi
NV00	79	53	47	35	15	28	56	12			6	kombi
NV00 I	79	53	47	35	15	28	56	12			6	kombi
NV0	125	68	65	35	15	28	56	12			6	kombi
NV1C	135	68	65	40	15	28	61	12			6	kombi
NV1C I	135	68	65	40	15	28	61	12			6	kombi
NV1	135	72	65	40	20	46	65	14			6	kombi
NV1 I	135	72	65	40	20	46	65	14			6	kombi
NV2C	150	72	65	48	20	46	73	14			6	kombi
NV2C I	150	72	65	48	20	46	73	14			6	kombi
NV2	150	72	65	48	26	54	73	14			6	kombi
NV2 I	150	72	65	48	26	54	73	14			6	kombi
NV3C	150	72	65	60	26	54	84	14			6	kombi
NV3	150	72	65	60	33	65	84	14			6	kombi
NV4	200	75	66	87	50	100	121	24	150	16	8	
NV4a	200	99	87	85	50	95	121	27			6	
NV4a SI*	200	99	87	85	50	95	121	27			6	
NV1/1000V	155	90	87	40	20	45	59	9			6	



# NH3 gTr 455A/400V 315kVA



## Specifications

ETI Code	004115407
Description	NH3 gTr 455A/400V 315kVA
Class name	Fuse link
Type	NH
Size	NH3
Characteristics	gTr
Rated AC voltage (V)	400
Indicator	Combination fuse status indicator
Breaking capacity AC (kA)	100
Transformer	315kVA
Power dissipation (W)	32,8
Standards	VDE 0636-21
Operating joule integral (A2s)	1.950.000
Prearcing joule integral (A2s)	720.000
Application	Protection of transformers
efuse	1
0	

Online product page

## Other documentation



Technical data catalogue

3D Model

Instruction manual

CE declaration

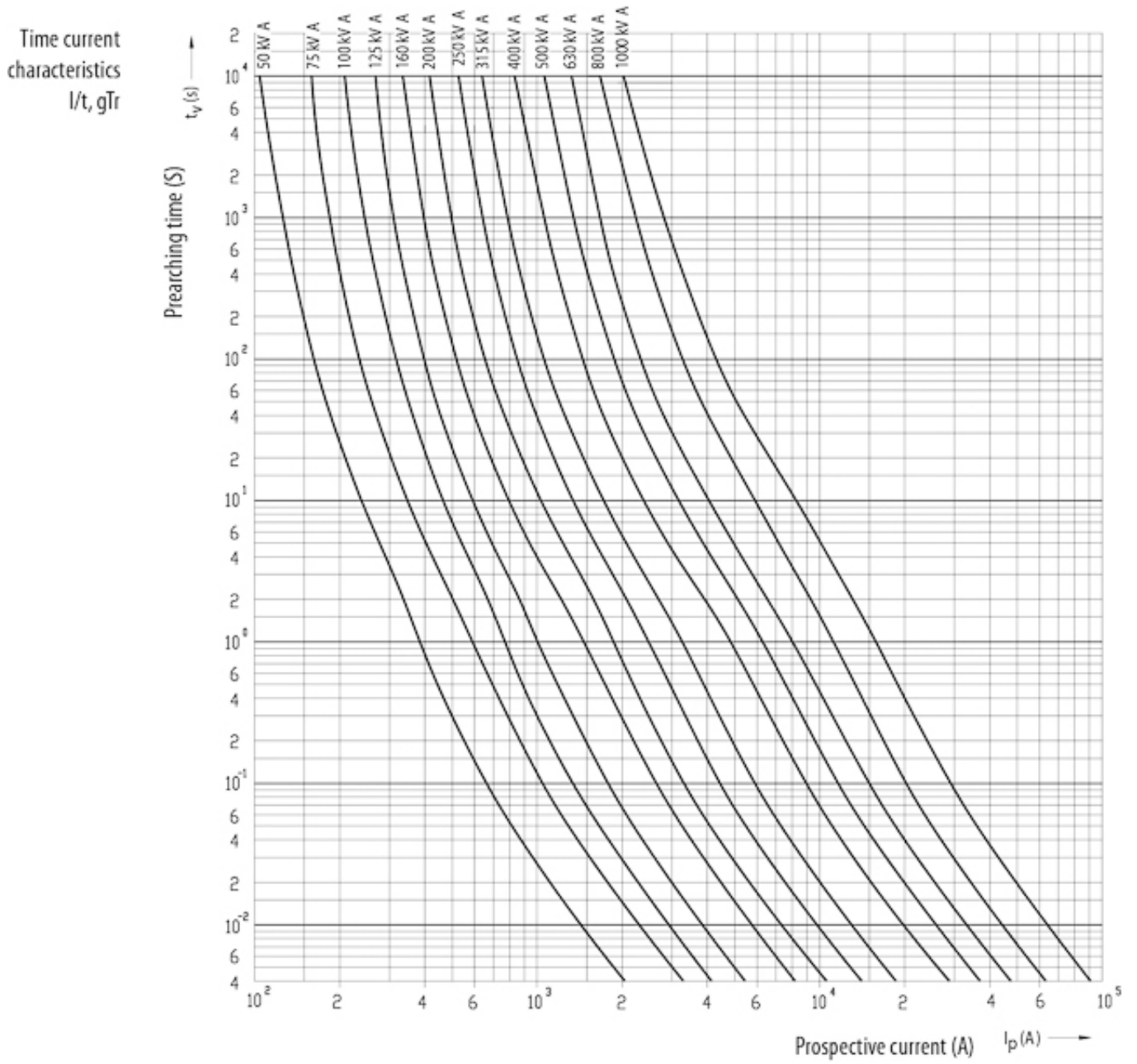
Eplan file

## ETIM international clasification

Classification	EC000055
Class name	Low Voltage HRC fuse
Construction size	NH3
Nominal rated current	455
Nominal rated voltage	400
Voltage type	AC
Rated switching capacity	100
Utilization category	gTr (Transformer protection)
Type of fuse status indicator	Combination fuse status indicator
Insulated metal gripping lugs (IMGL)	

# Characteristics

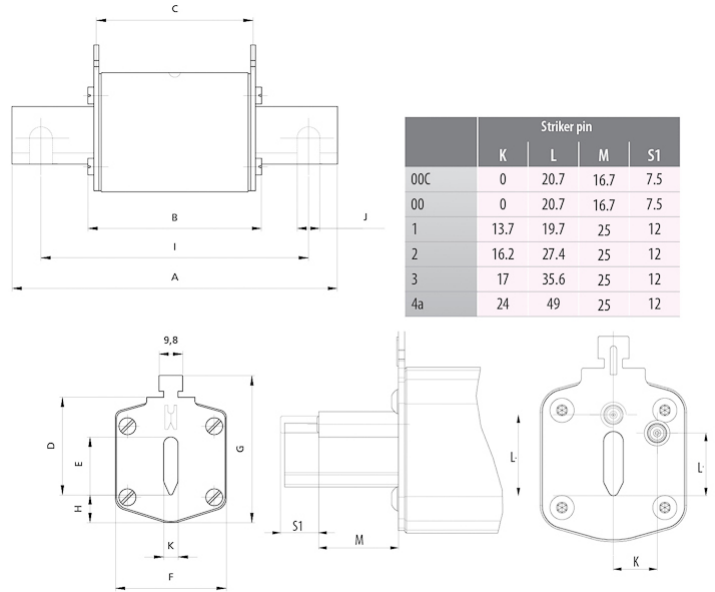
# Characteristics





# Dimension drawing

	A	B	C	D	E	F	G	H	I	J	K	
NV00C	79	53	47	35	15	21	52	7,5			6	kombi
NV00C I	79	53	47	35	15	21	52	7,5			6	kombi
NV00	79	53	47	35	15	28	56	12			6	kombi
NV00 I	79	53	47	35	15	28	56	12			6	kombi
NV0	125	68	65	35	15	28	56	12			6	kombi
NV1C	135	68	65	40	15	28	61	12			6	kombi
NV1C I	135	68	65	40	15	28	61	12			6	kombi
NV1	135	72	65	40	20	46	65	14			6	kombi
NV1 I	135	72	65	40	20	46	65	14			6	kombi
NV2C	150	72	65	48	20	46	73	14			6	kombi
NV2C I	150	72	65	48	20	46	73	14			6	kombi
NV2	150	72	65	48	26	54	73	14			6	kombi
NV2 I	150	72	65	48	26	54	73	14			6	kombi
NV3C	150	72	65	60	26	54	84	14			6	kombi
NV3	150	72	65	60	33	65	84	14			6	kombi
NV4	200	75	66	87	50	100	121	24	150	16	8	
NV4a	200	99	87	85	50	95	121	27			6	
NV4a SI*	200	99	87	85	50	95	121	27			6	
NV1/1000V	155	90	87	40	20	45	59	9			6	



# NH3 gTr 577A/400V 400kVA



## Specifications

ETI Code	004115408
Description	NH3 gTr 577A/400V 400kVA
Class name	Fuse link
Type	NH
Size	NH3
Characteristics	gTr
Rated AC voltage (V)	400
Indicator	Combination fuse status indicator
Breaking capacity AC (kA)	100
Transformer	400kVA
Power dissipation (W)	36,5
Standards	VDE 0636-21
Operating joule integral (A2s)	3.900.000
Prearcing joule integral (A2s)	940.000
Application	Protection of transformers
efuse	1
0	

[Online product page](#) 

## Other documentation



[Technical data catalogue](#)

[3D Model](#)

[Instruction manual](#)

[CE declaration](#)

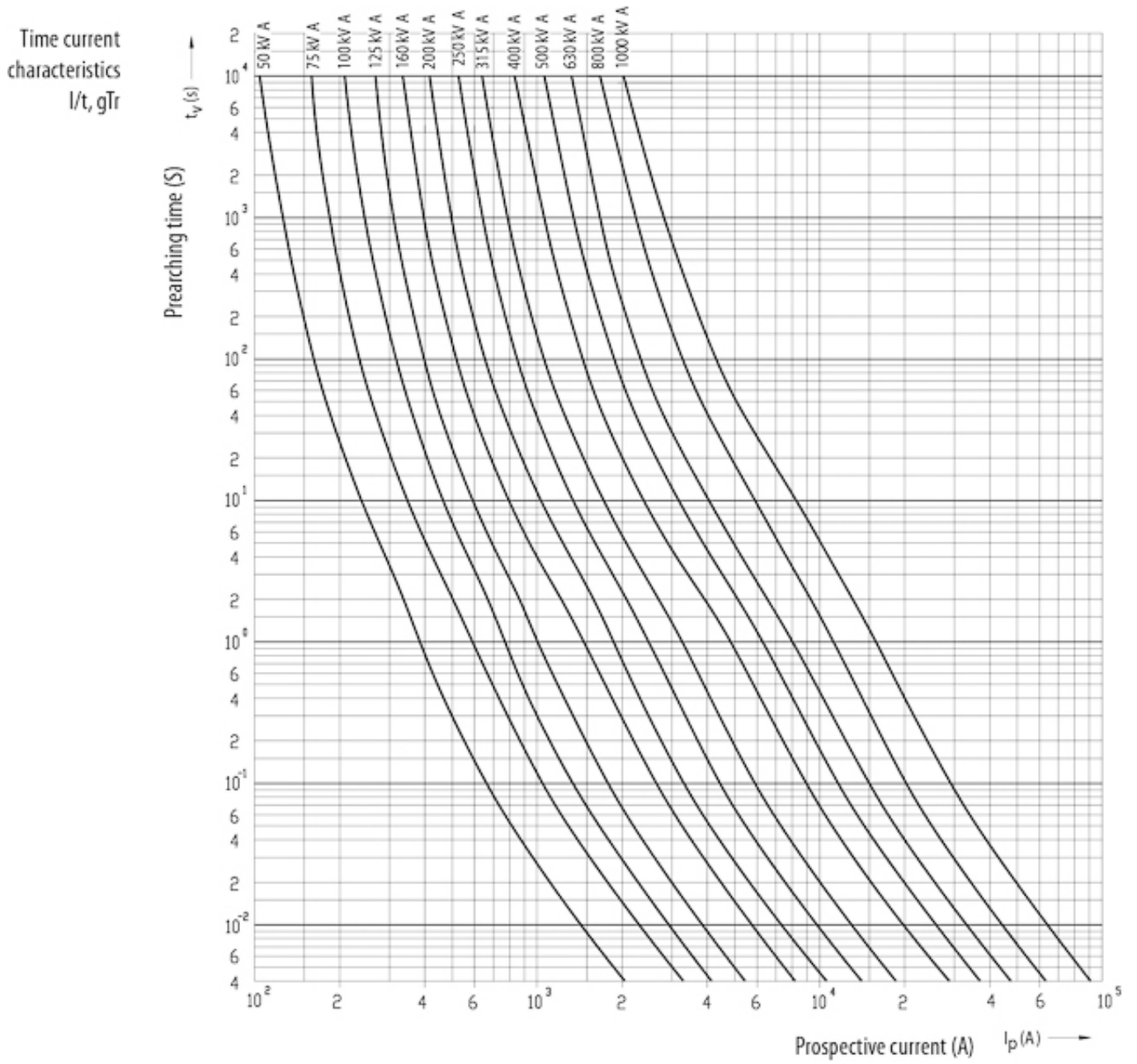
[Eplan file](#)

## ETIM international clasification

Classification	EC000055
Class name	Low Voltage HRC fuse
Construction size	NH3
Nominal rated current	577
Nominal rated voltage	400
Voltage type	AC
Rated switching capacity	100
Utilization category	gTr (Transformer protection)
Type of fuse status indicator	Combination fuse status indicator
Insulated metal gripping lugs (IMGL)	

# Characteristics

# Characteristics



# Dimension drawing

	A	B	C	D	E	F	G	H	I	J	K	
NV00C	79	53	47	35	15	21	52	7,5			6	kombi
NV00C I	79	53	47	35	15	21	52	7,5			6	kombi
NV00	79	53	47	35	15	28	56	12			6	kombi
NV00 I	79	53	47	35	15	28	56	12			6	kombi
NV0	125	68	65	35	15	28	56	12			6	kombi
NV1C	135	68	65	40	15	28	61	12			6	kombi
NV1C I	135	68	65	40	15	28	61	12			6	kombi
NV1	135	72	65	40	20	46	65	14			6	kombi
NV1 I	135	72	65	40	20	46	65	14			6	kombi
NV2C	150	72	65	48	20	46	73	14			6	kombi
NV2C I	150	72	65	48	20	46	73	14			6	kombi
NV2	150	72	65	48	26	54	73	14			6	kombi
NV2 I	150	72	65	48	26	54	73	14			6	kombi
NV3C	150	72	65	60	26	54	84	14			6	kombi
NV3	150	72	65	60	33	65	84	14			6	kombi
NV4	200	75	66	87	50	100	121	24	150	16	8	
NV4a	200	99	87	85	50	95	121	27			6	
NV4a SI*	200	99	87	85	50	95	121	27			6	
NV1/1000V	155	90	87	40	20	45	59	9			6	

