

EFH 10 DC 1p



Specifications

ETI Code	002540201
Description	EFH 10 DC 1p
Class name	Fuse - base
Rated current (A)	25
To use with	CH gPV fuse-links
Mounting type	TH 35
Size	10x38
Number of poles	1
Product group	LV-fuse base
Utilization category	DC-20B
Connection	1 - 25mm ²
Rated DC voltage (V)	1000
Mounting	35mm DIN rail
Catalogue Group	LV-fuse disconnecter
Ambient temperature (°C)	-5 + 40°C
Standards	IEC 60947-1, IEC 60947-3, UL 4248-1, UL 4248-19
Application	Photovoltaic Installation
UL certificate	E356295

[Online product page](#)

Other documentation

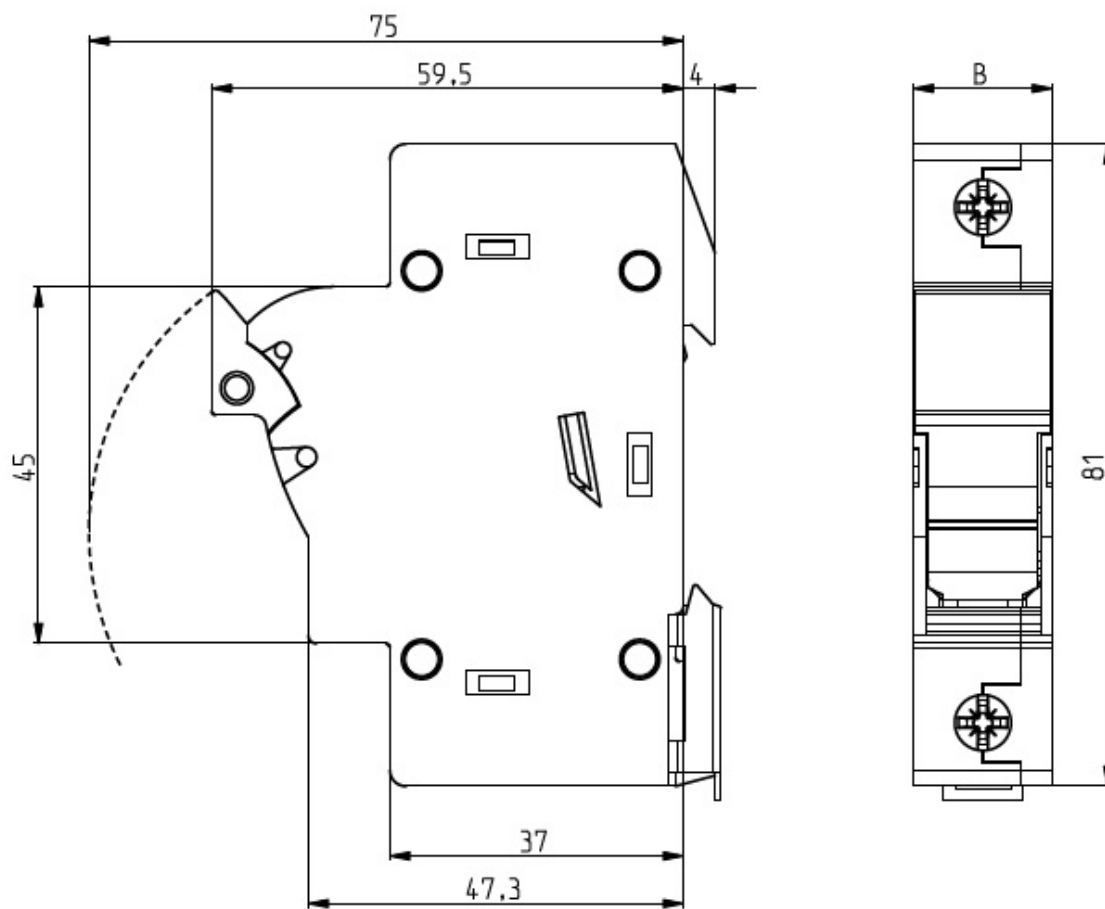


[Technical data catalogue](#)
[Certificate](#)
[3D Model](#)
[Instruction manual](#)
[CE declaration](#)
[Eplan file](#)

ETIM international classification

Classification	EC002705
Class name	Holder for cylindrical fuse
Nominal voltage	1000V
Mounting method	Other
For fuse size	10x38 mm
Number of poles	1

Dimension drawing



	B
1p	17,5
2p	35
2p+N+S	70